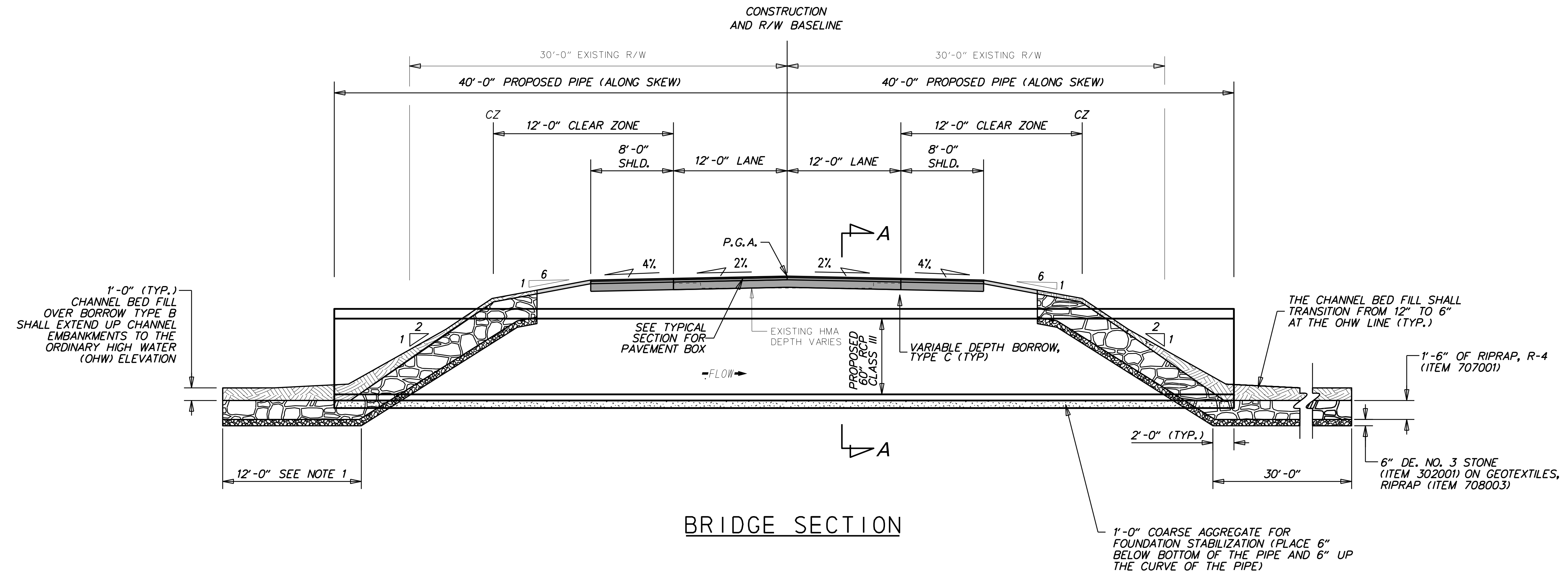
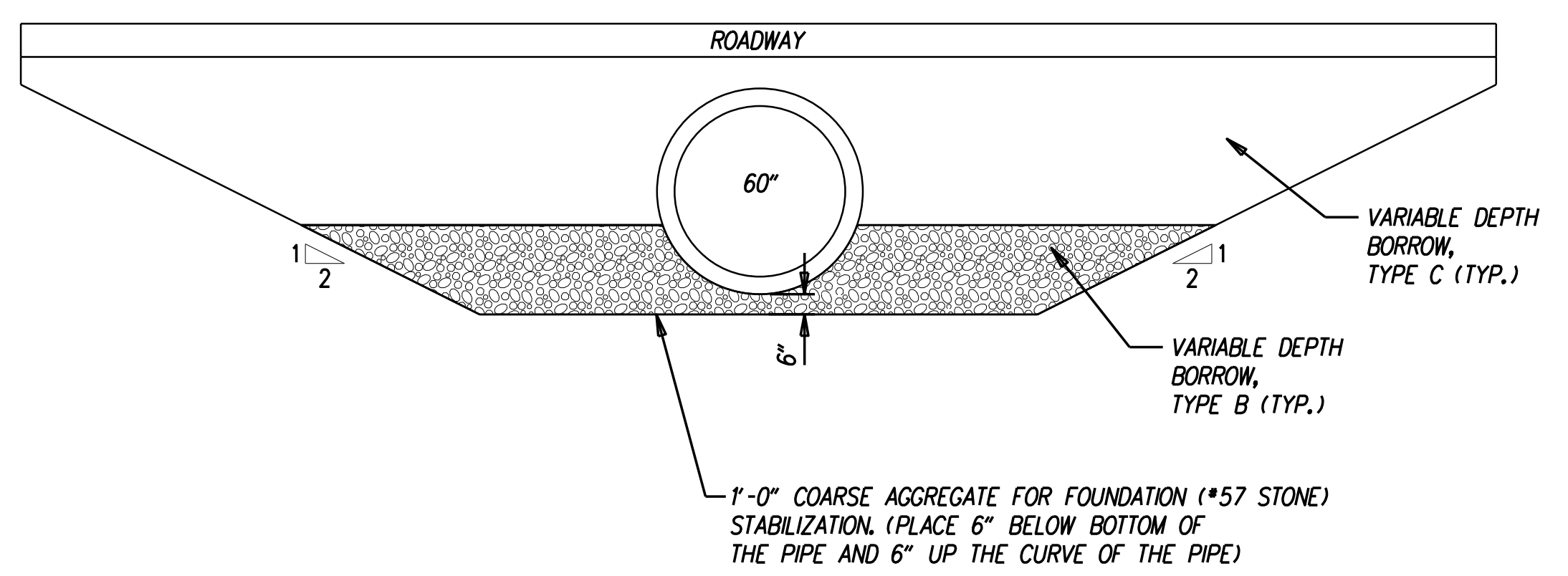


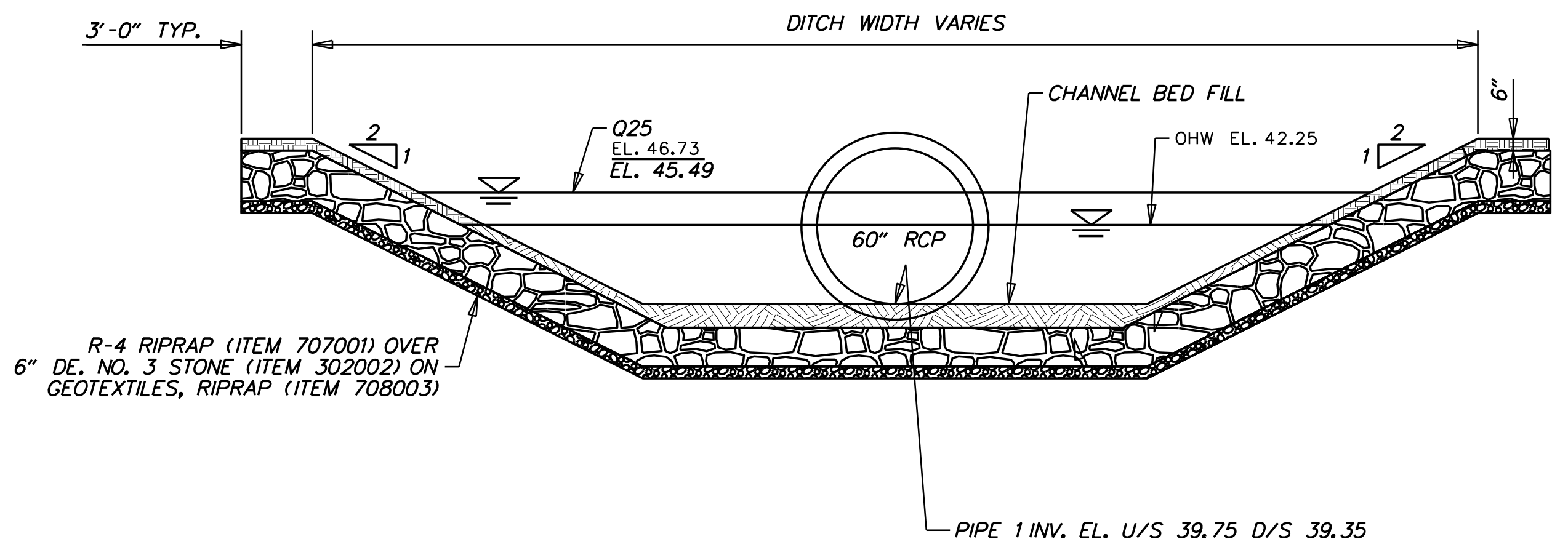
PLOTTED: 6/7/2019
Z:\2017\1702MD027\CULVERT_SITES\3-914A_SR16BEACH\CADD\MICROSTATION\ROADWAY\PE-07_3-914A.DGN



BRIDGE SECTION



SECTION A-A



BRIDGE ELEVATION
(UPSTREAM LOOKING DOWNSTREAM)

- NOTES:**
1. MAINTAIN CULVERT SLOPE OF 0.5%.
 2. SEE ENVIRONMENTAL COMPLIANCE SHEET FOR ADDITIONAL NOTES.
 3. ROADWAY PROFILE AND RIPRAP EMBANKMENT NOT SHOWN FOR CLARITY.

ADDENDUMS / REVISIONS	

NOT TO SCALE

DESIGN-BUILD STATEWIDE
PIPE REPLACEMENT PROJECT
(BR 3-914A ON SR 16 BEACH HIGHWAY)

CONTRACT	BRIDGE NO.	3-914A
T201607002	DESIGNED BY:	HLW
COUNTY	CHECKED BY:	KSJ
SUSSEX		

BRIDGE ELEVATION
AND SECTION

SHEET NO.	7
TOTAL SHTS.	13